

A

B

C

D

A

B

C

D

Photodiode Resonant Circuit

Low Noise RF Amp

High Power RF Amp

Bias Voltage

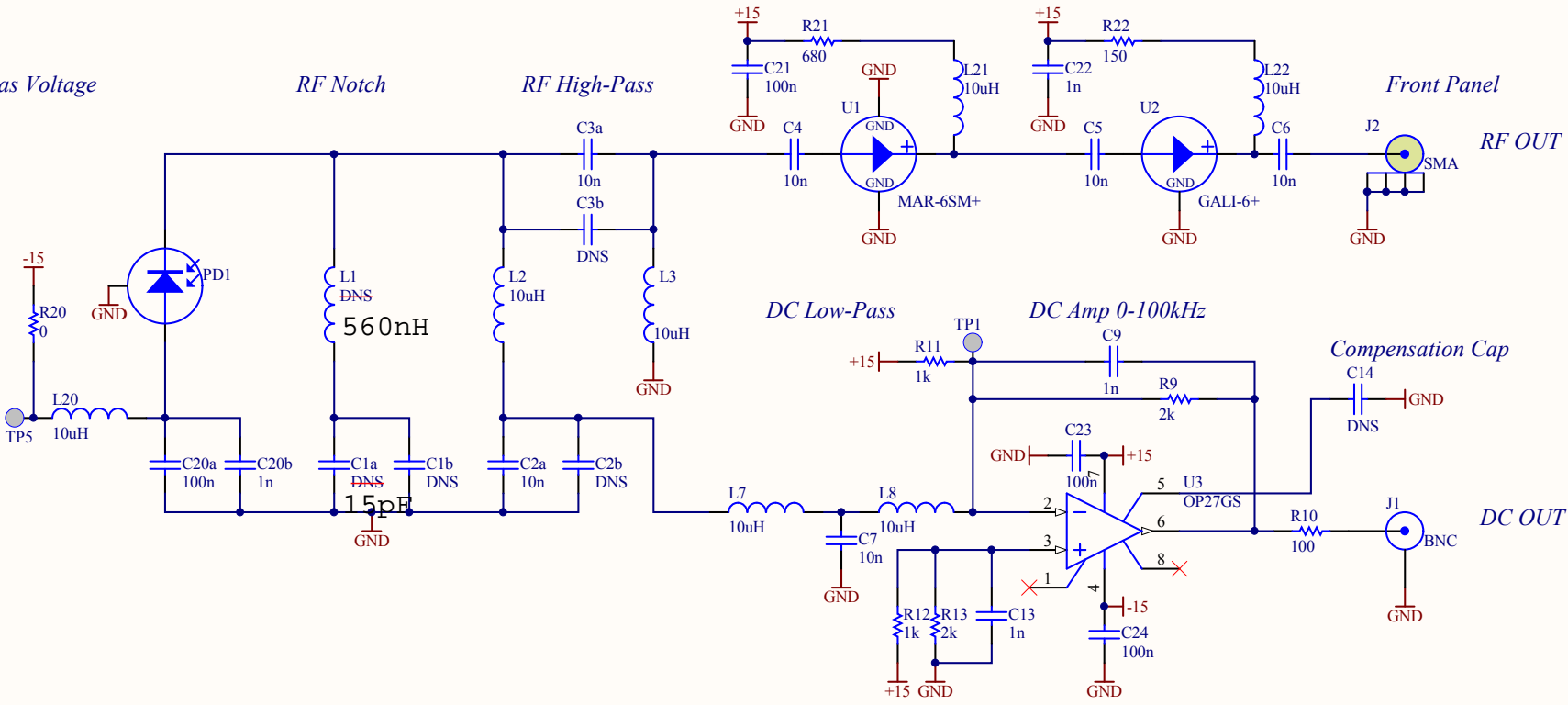
RF Notch

RF High-Pass

DC Low-Pass

DC Amp 0-100kHz

Front Panel



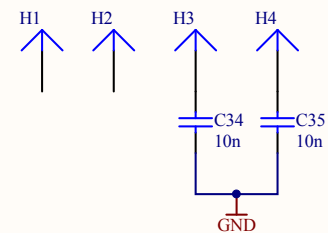
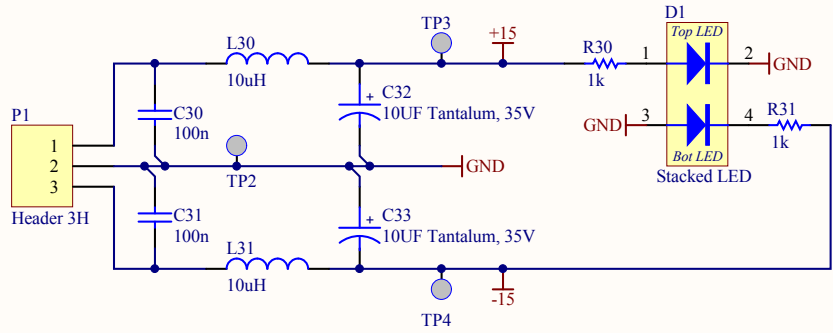
Input Power +/-15V

Front Panel

Mounting Hole

Serial Number

SN



Title		
40m POP 22/110 Detector		
Size	Number	Revision
A	137A	
Date:	8/10/2011	Sheet of
File:	\\.\BBPD.SchDoc	Drawn By: Rana