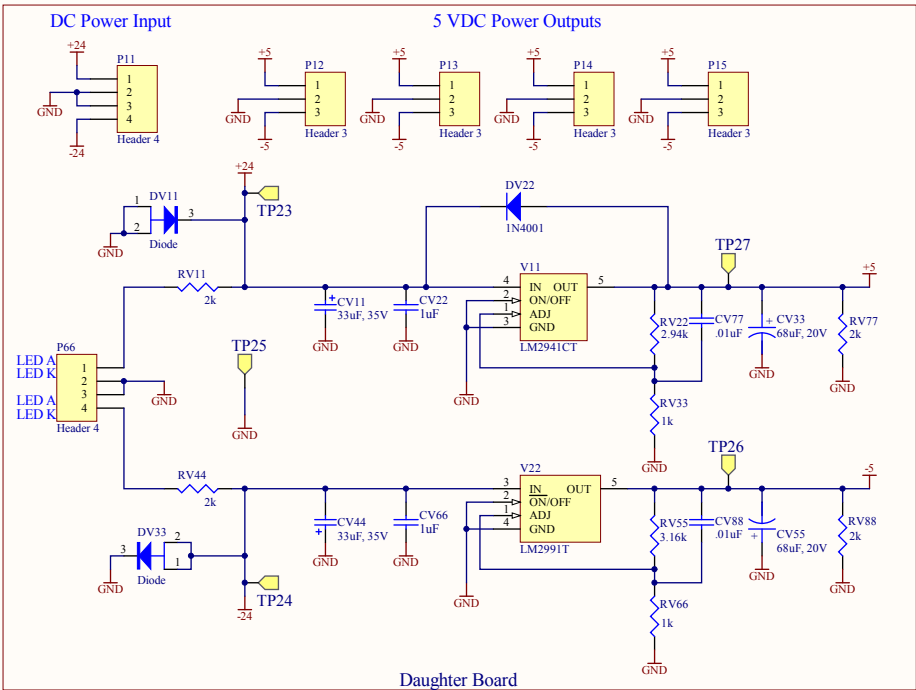


Daughter Board



Daughter Board

Title			Last Edited:	
Power Regulation Boards			LIGO Laboratory California Institute of Technology Massachusetts Institute of Technology	
Size: B	DCC Number: *	Revision: *	Engineer: Charles Blakemore	Date: 8/15/2013
File: C:\Users\cit40m\Documents\ISS Schematics - Chas40m\1\ISS v3-Power Reg.SchDoc				Time: 8:53:21 PM
				Sheet * of *