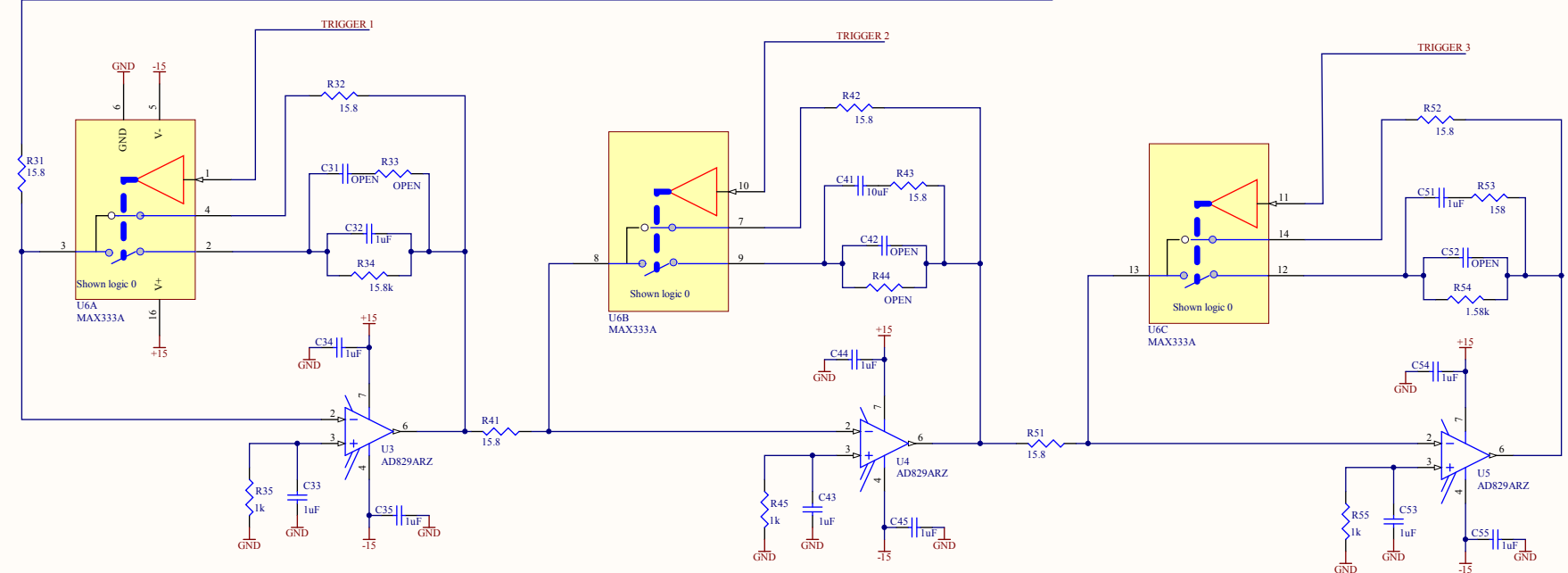
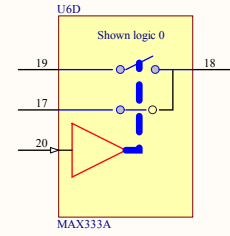


**Differential Amplifier**



Title		Last Edited:	
<b>ISS - 40m Facility</b>		LIGO Laboratory California Institute of Technology Massachusetts Institute of Technology	
Size: B	DCC Number: *	Revision: *	Engineer: Charles Blakemore
File: C:\Users\cit40m\Documents\ISS Schematics - Chas40m\140mServo v1.SchDoc			Date: 7/8/2013 Time: 6:49:48 PM Sheet 1 of 1