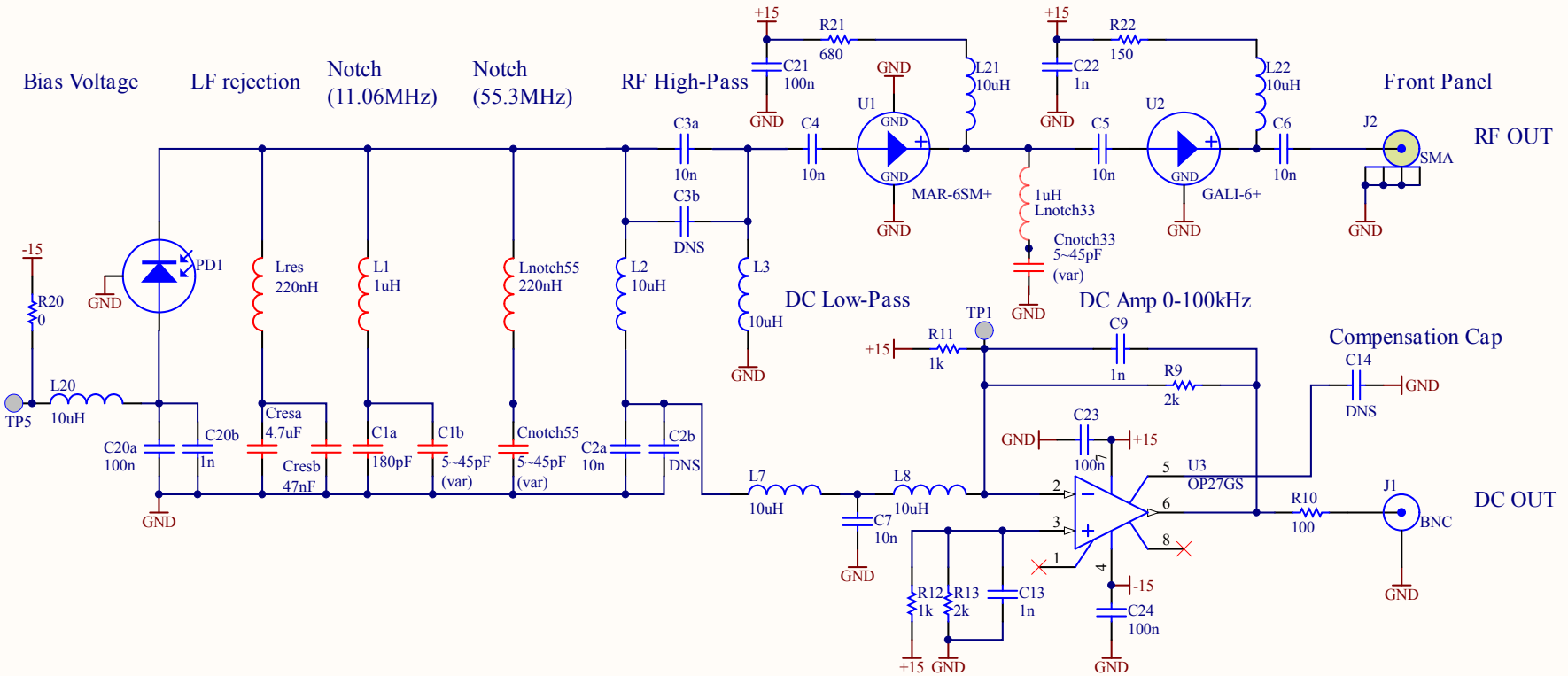


BBPD MOD for REFL165

Photodiode Resonant Circuit

Low Noise RF Amp

High Power RF Amp



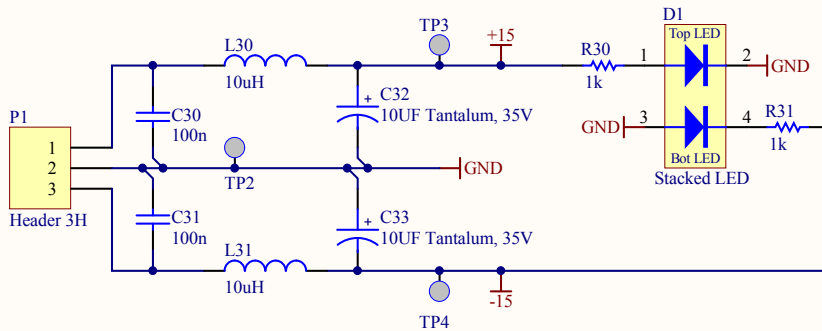
Input Power +/-15V

Front Panel

Mounting Hole

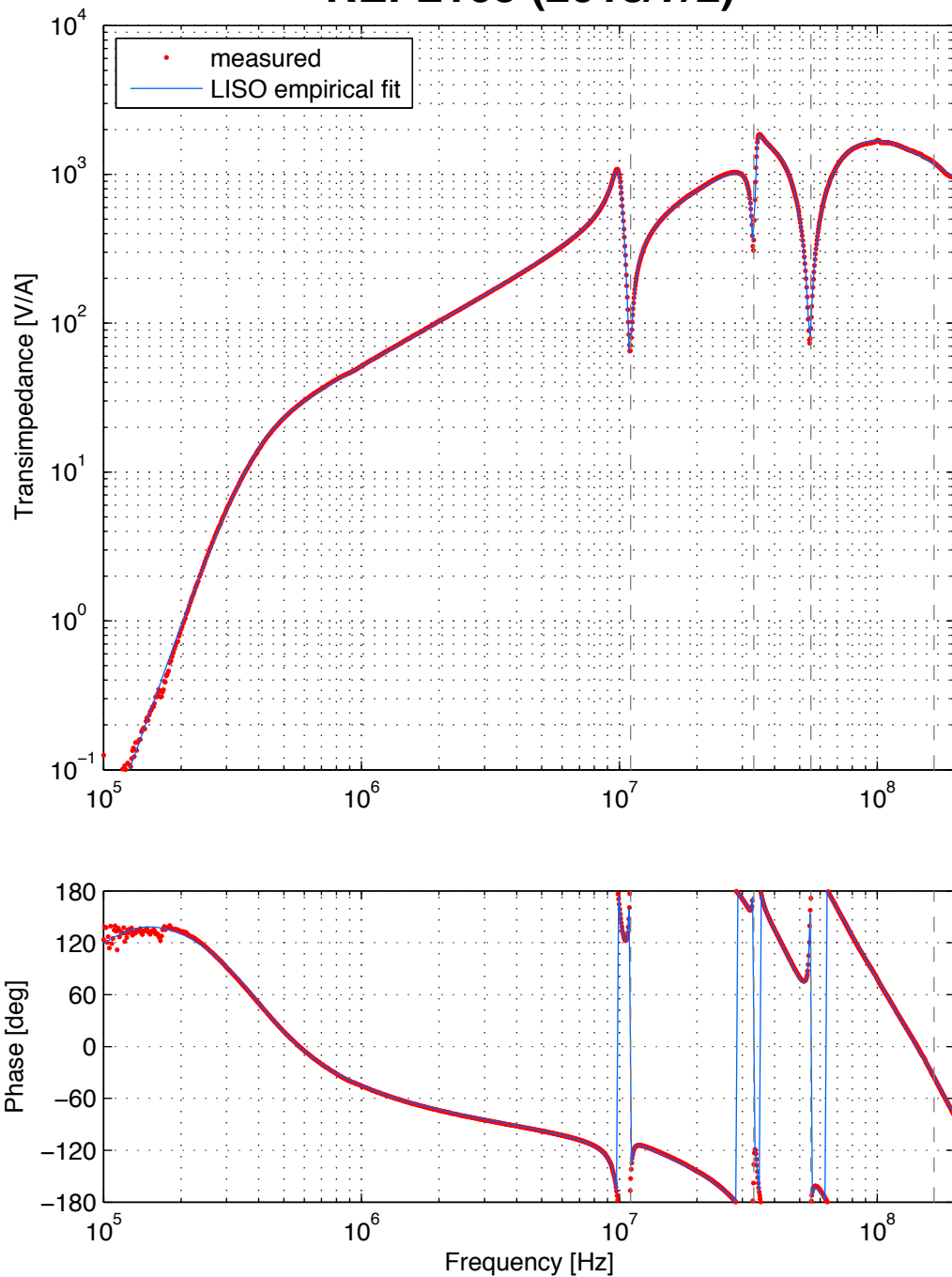
Serial Number

SN



Title		
Size	Number	Revision
A		
Date:	8/10/2011	Sheet of
File:	\\.\BBPD.SchDoc	Drawn By:

REFL165 (2013/7/2)



LISO source

```

zero 10
zero 10
zero 10
zero 102.7190126788k 1.1635755130 ### fitted (name = zero3)

pole 400.0950403448k 1.0470947132 ### fitted (name = pole0)
pole 256.0309944183k 499.6528905107m ### fitted (name = pole1)
pole 82.4072712837M 828.6188218618m ### fitted (name = pole2)
pole 368.4615964370M ### fitted (name = pole3)

pole 9.9969794871M 11.3402345647 ### fitted (name = pole4)
zero 10.9745336010M 40.3471046328 ### fitted (name = zero4)

zero 33.1331725102M 61.1818992078 ### fitted (name = zero5)
pole 33.9266319680M 19.0360358638 ### fitted (name = pole5)

pole 46.5552556988M 1.4750492865 ### fitted (name = pole6)
zero 54.6636051380M 37.0222448158 ### fitted (name = zero6)

factor -50.9575724636f ### fitted
delay 2.5328416127n ### fitted

#param zero0:f 10 1G
#param zero1:f 10 1G
#param zero2:f 10 1G
param zero3:f 10 1G
param zero3:q 0.1 100
param zero4:f 10 1G
param zero4:q 0.1 100
param zero5:f 10 1G
param zero5:q 0.1 100
param zero6:f 10 1G
param zero6:q 0.1 100

param pole0:f 0k 1G
param pole0:q 0 100
param pole1:f 0k 1G
param pole1:q 0 100
param pole2:f 0k 1G
param pole2:q 0 100
param pole3:f 0k 1G
param pole4:f 0k 1G
param pole4:q 1 100
param pole5:f 0k 1G
param pole5:q 1 100
param pole6:f 0k 1G
param pole6:q 1 100

param factor 1f 1k
param delay 0 1m

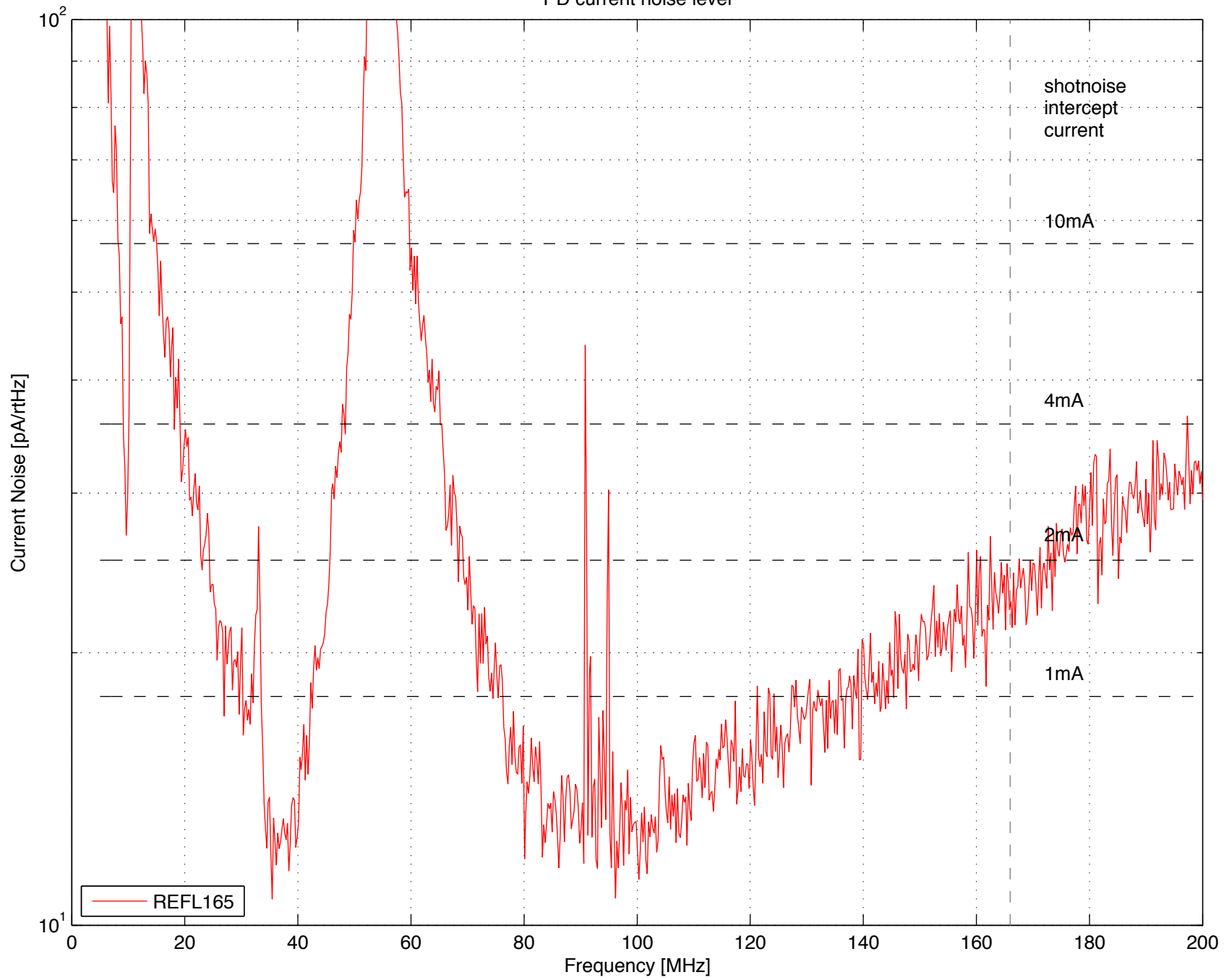
fit REFL165.bod absdeg semi

rewrite samebetter

gnuterm pdf

freq log 100k 200M 400 ### from data file
    
```

PD current noise level



REFL165 noise level: 165.481MHz~166.481MHz

