

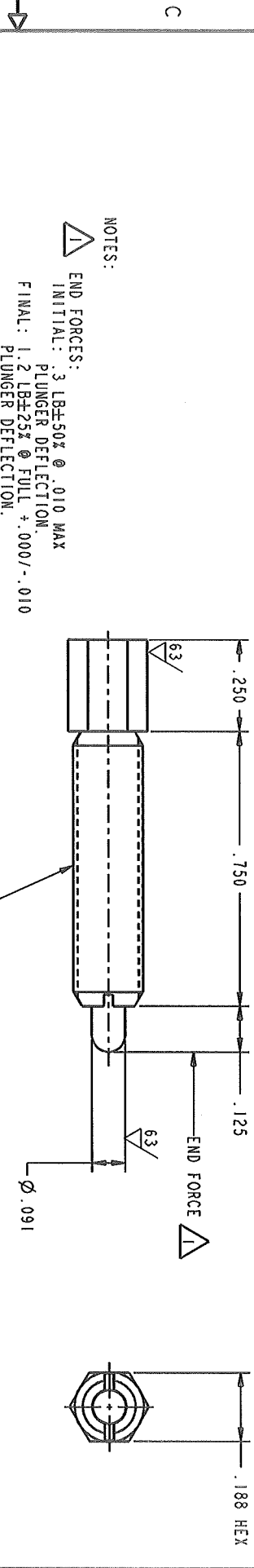
PART NO. S53-504
DRAWING APPROVED BY: _____

NAME: _____
SIGNATURE: _____ **DATE:** _____
COMPANY: _____
TELEPHONE: _____
FAX: _____

PROPRIETARY NOTICE
 THIS DRAWING CONTAINS DESIGN AND OTHER INFORMATION WHICH IS THE PROPERTY OF VLIER. THIS DRAWING MAY NOT BE REPRODUCED OR USED FOR PURPOSES OF MANUFACTURE, OR OTHERWISE, WITHOUT THE PRIOR WRITTEN PERMISSION OF VLIER. ANY COPIES OF THIS DRAWING DISTRIBUTED FOR INFORMATIONAL PURPOSES, WHETHER UNDER THE TERMS OF A CONTRACT OR OTHERWISE, ARE TO BE RETURNED TO VLIER ON REQUEST OR WHEN THE PURPOSE FOR WHICH THEY WERE ISSUED IS ACCOMPLISHED. VLIER WILL TAKE ALL NECESSARY ACTION TO ENFORCE ITS RIGHTS TO THIS PROPRIETARY INFORMATION.

CONCEPT DRAWING
 NOT FOR ENGINEERING OR PRODUCTION RELEASE

ZONE	REV	DESCRIPTION	DATE	APPROVED
		CONCEPT DRAWING		



- NOTES:
- 1. END FORCES:
 INITIAL: .3 LB±50% @ .010 MAX
 PLUNGER DEFLECTION.
 FINAL: 1.2 LB±25% @ FULL +.000/- .010
 PLUNGER DEFLECTION.
 - 2. MATERIAL:
 BODY, PLUNGER PLUG - CP GRADE 2 TITANIUM
 SPRING - BERYLLIUM COPPER
 - 3. ALL COMPONENTS REQUIRE FULL CERTS. AND TRACEABILITY.
 - 4. CERTIFICATE OF RAW MATERIAL SOURCES REQUIRED. MATERIAL SOURCES: PER DFARS 252.225-7014 PREFERENCE FOR DOMESTIC SPECIALTY METALS ALTERNATE 1.

PROPRIETARY NOTICE

"THIS DRAWING CONTAINS DESIGNS AND OTHER INFORMATION WHICH ARE THE PROPERTY OF VLIER. THIS DRAWING MAY NOT, IN WHOLE OR IN PART, BE REPRODUCED OR USED FOR PURPOSES OF MANUFACTURE, OR OTHERWISE, WITHOUT THE PRIOR WRITTEN PERMISSION OF VLIER. ANY COPIES OF THIS DRAWING DISTRIBUTED FOR INFORMATIONAL PURPOSES, WHETHER UNDER THE TERMS OF A CONTRACT OR OTHERWISE, ARE TO BE RETURNED TO VLIER ON REQUEST OR WHEN THE PURPOSE FOR WHICH THEY WERE ISSUED IS ACCOMPLISHED. VLIER WILL TAKE ALL NECESSARY ACTION TO ENFORCE ITS RIGHTS TO THIS PROPRIETARY INFORMATION."

SHEET 1 - PRODUCT CONFIGURATION AND SPECIFICATIONS
 SHEET 2 - MANUFACTURING SPECIFICATIONS, INTERNAL USE ONLY

FINISH	NONE
MATERIAL	2
WEAT ASST	S53-504
FINAL ASST	
APPLICATION	

UNLESS OTHERWISE SPECIFIED REMOVE BURS & SHARP EDGES SURFACE ROUGHNESS CALLOUTS IN () ARE SI UNITS DIMENSIONS ARE IN INCHES DECIMALS: .01 .03 ANGLES: ± .12° ± .12° DO NOT SCALE DRAWING THIRD ANGLE PROJECTION

PREPARED	C HAMILTON	DATE	11/10/11
CHECKED			
ENGINEER			

CONTRACT NO.	
DESCRIPTION	SPRING PLUNGER
SCALE	5/1
SIZE	C 01226
FIG NO.	S53-504
DWG NO.	
SHEET	1 OF 2