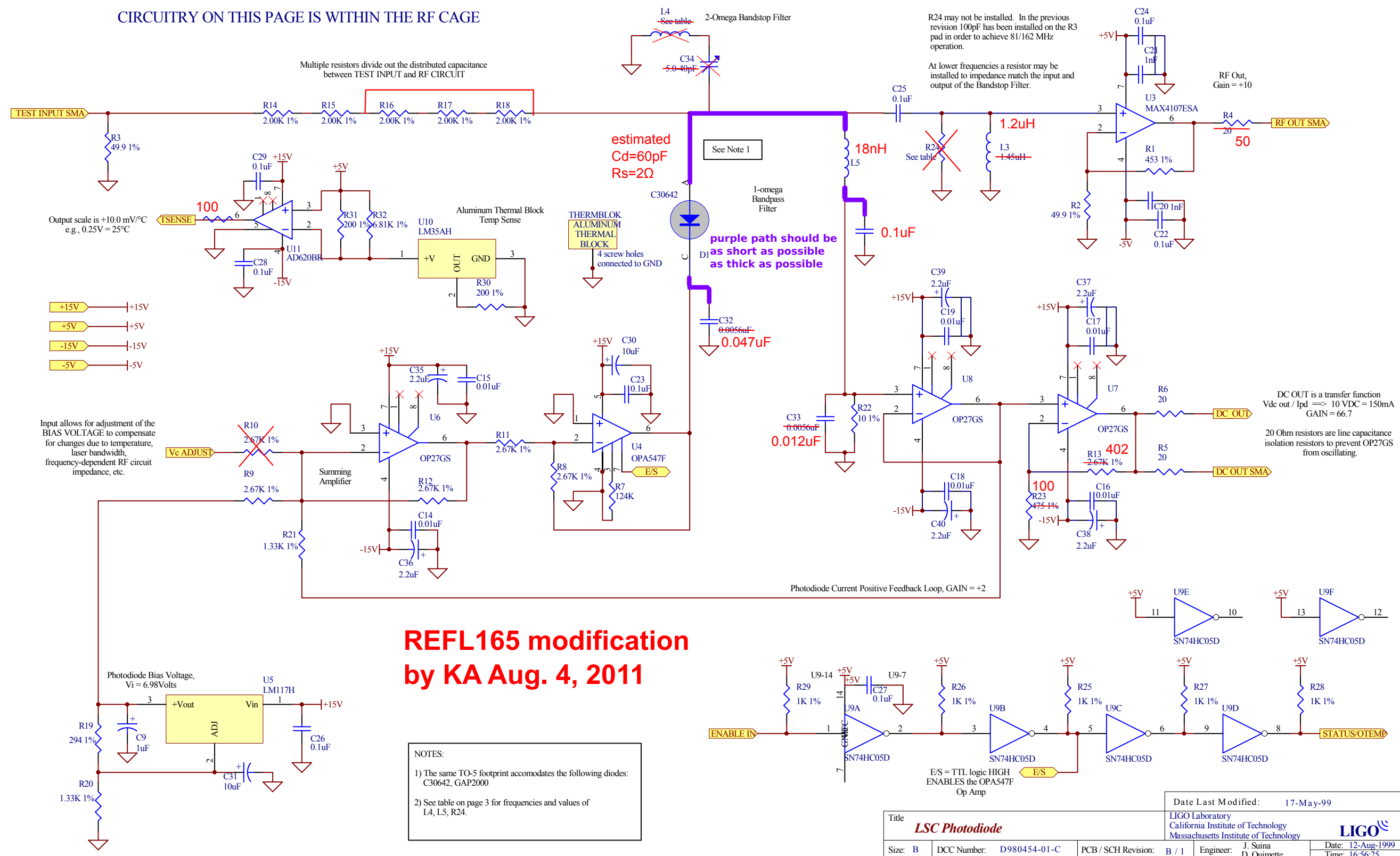


CIRCUITRY ON THIS PAGE IS WITHIN THE RF CAGE

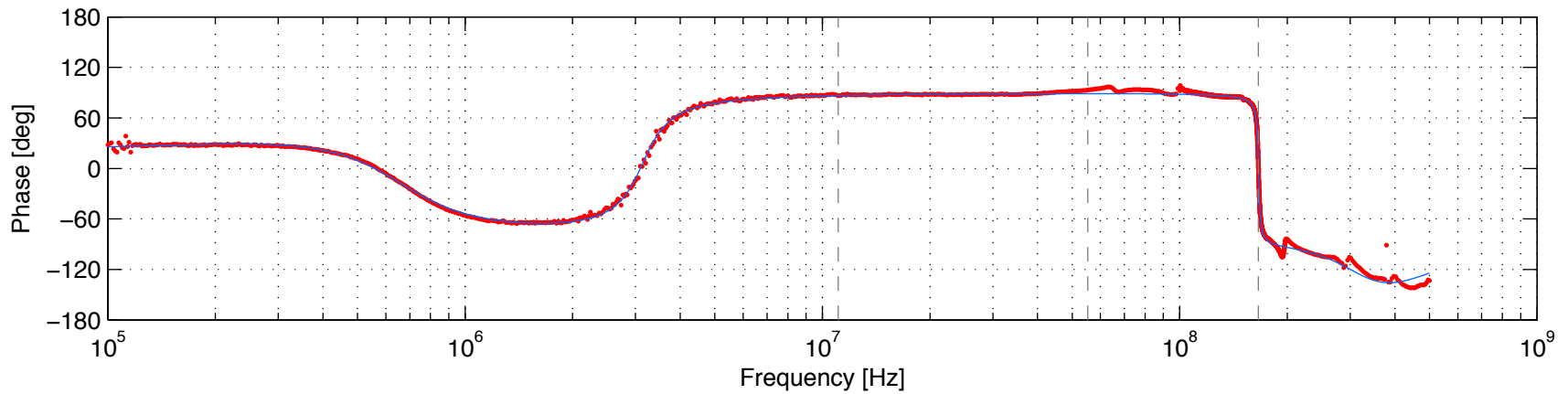
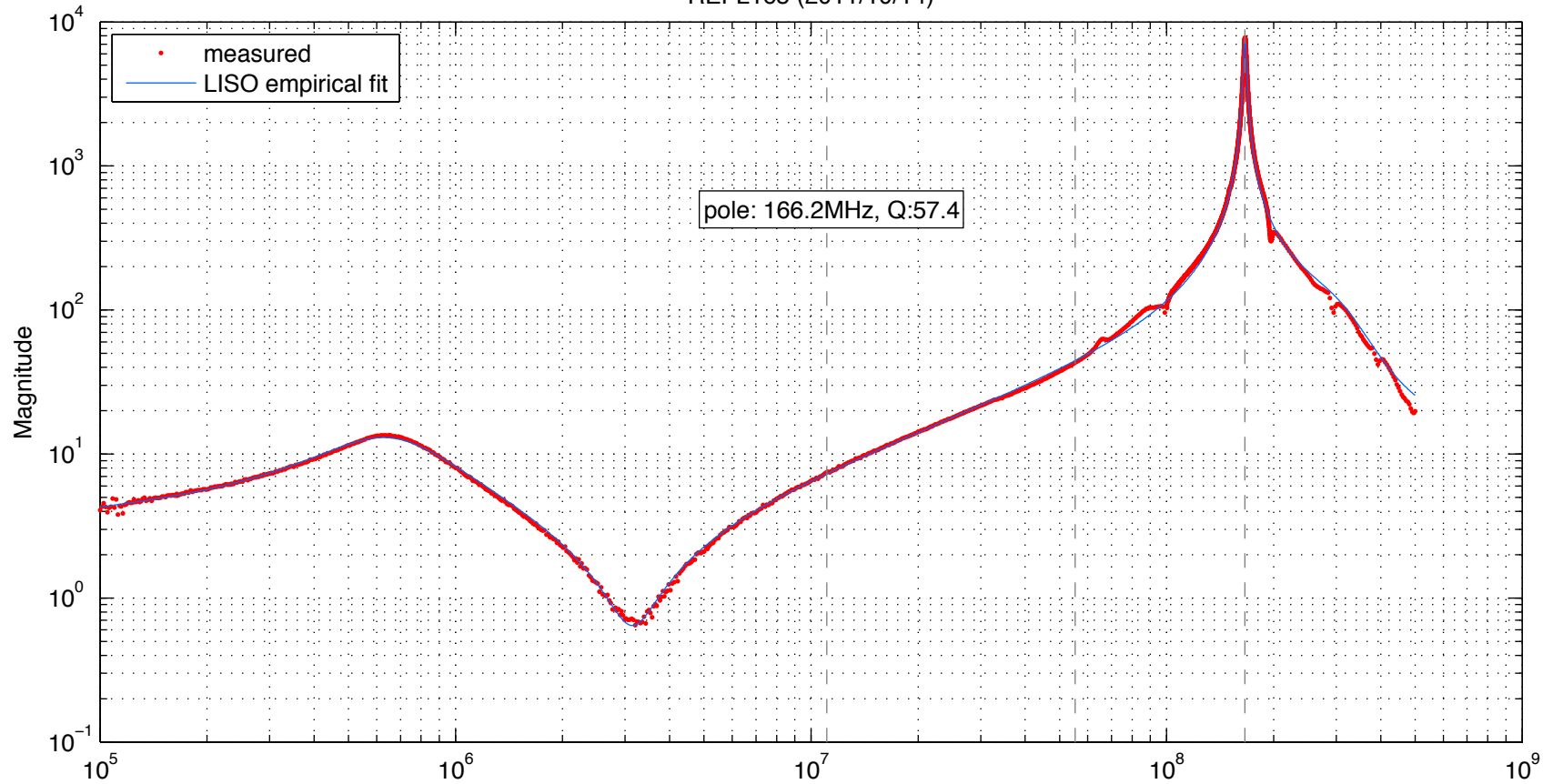


**REFL165 modification
by KA Aug. 4, 2011**

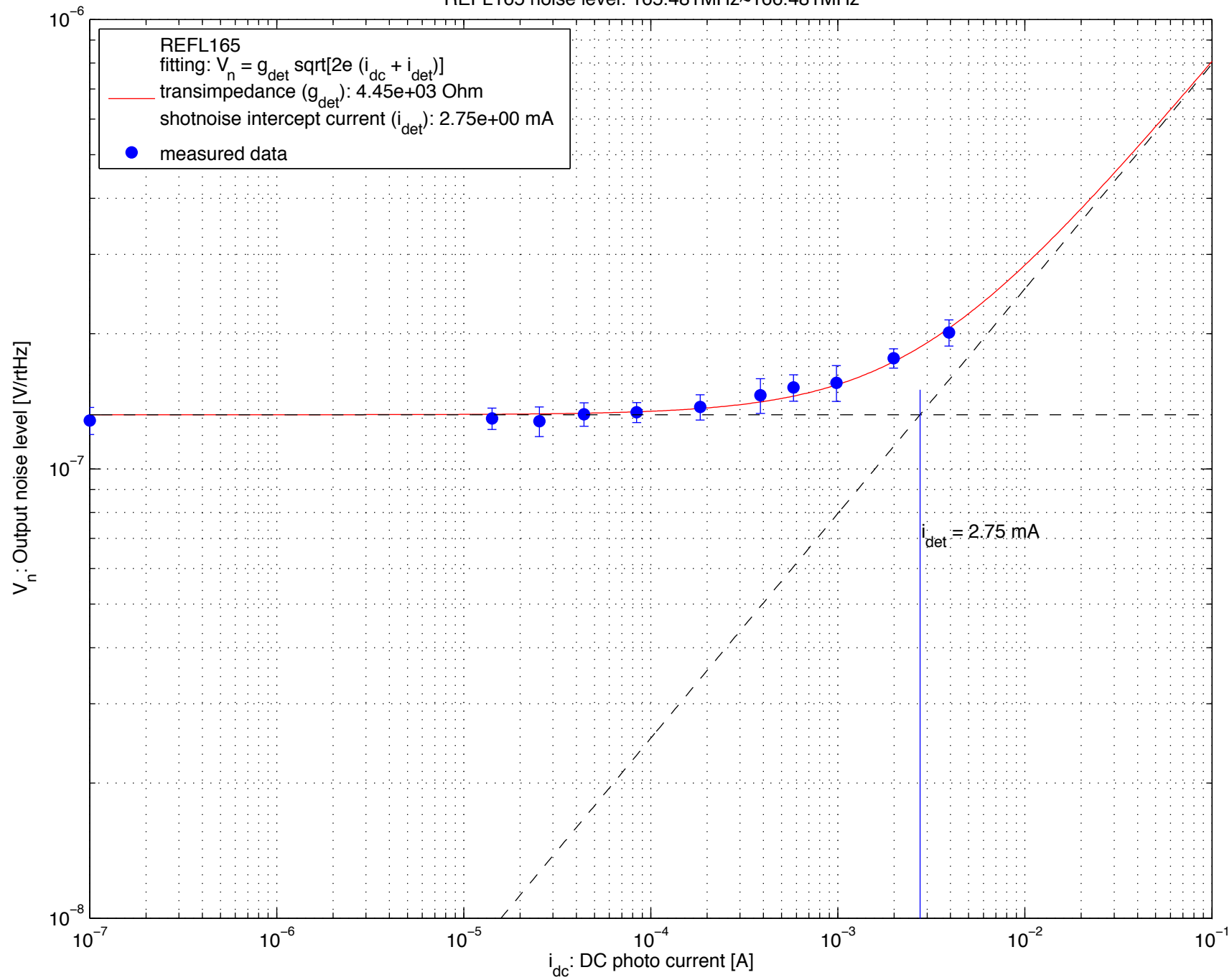
NOTES:
 1) The same TO-5 footprint accomodates the following diodes:
 C30642, GAP2000
 2) See table on page 3 for frequencies and values of
 L4, L5, R24.

Title LSC Photodiode		Date Last Modified: 17-May-99	
LIGO Laboratory California Institute of Technology Massachusetts Institute of Technology			
Size: B	DCC Number: D980454-01-C	PCB / SCH Revision: B / 1	Engineer: J. Suina D. Ouimette
File: S:\SYSTEMS\LSCPHOTOD-1\FINAL\SCHEMA-1\8045401A.SCH		Date: 12-Aug-1999	Time: 16:56:25
		Sheet 2 of 2	

REFL165 (2011/10/14)



REFL165 noise level: 165.481MHz~166.481MHz



PD current noise level

