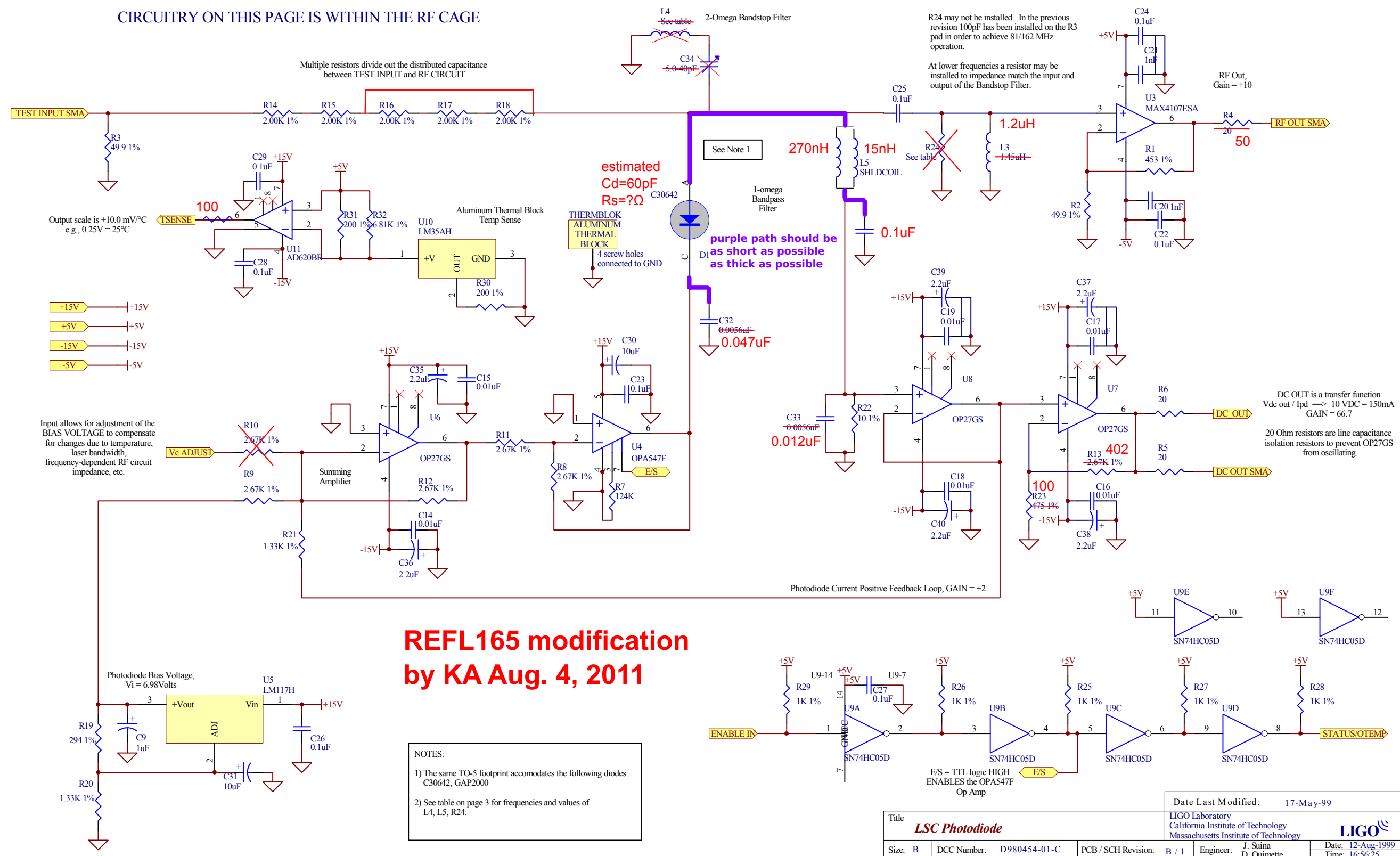


CIRCUITRY ON THIS PAGE IS WITHIN THE RF CAGE

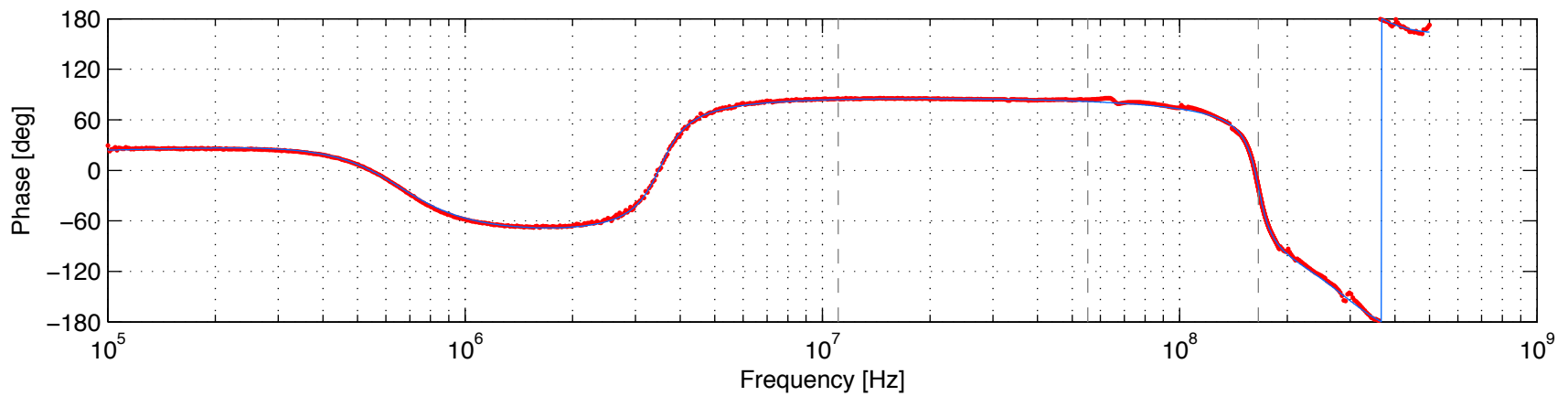
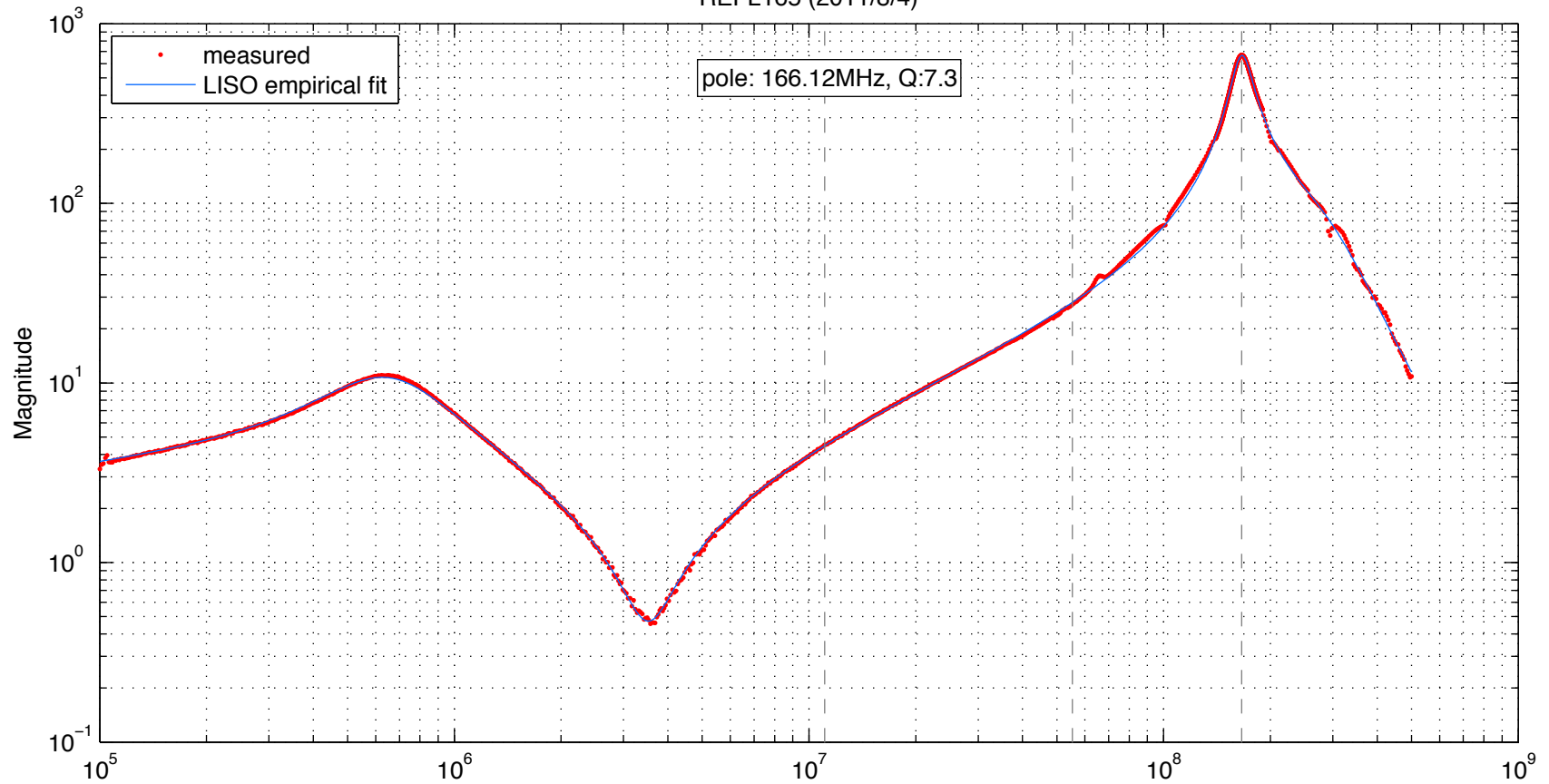


**REFL165 modification  
by KA Aug. 4, 2011**

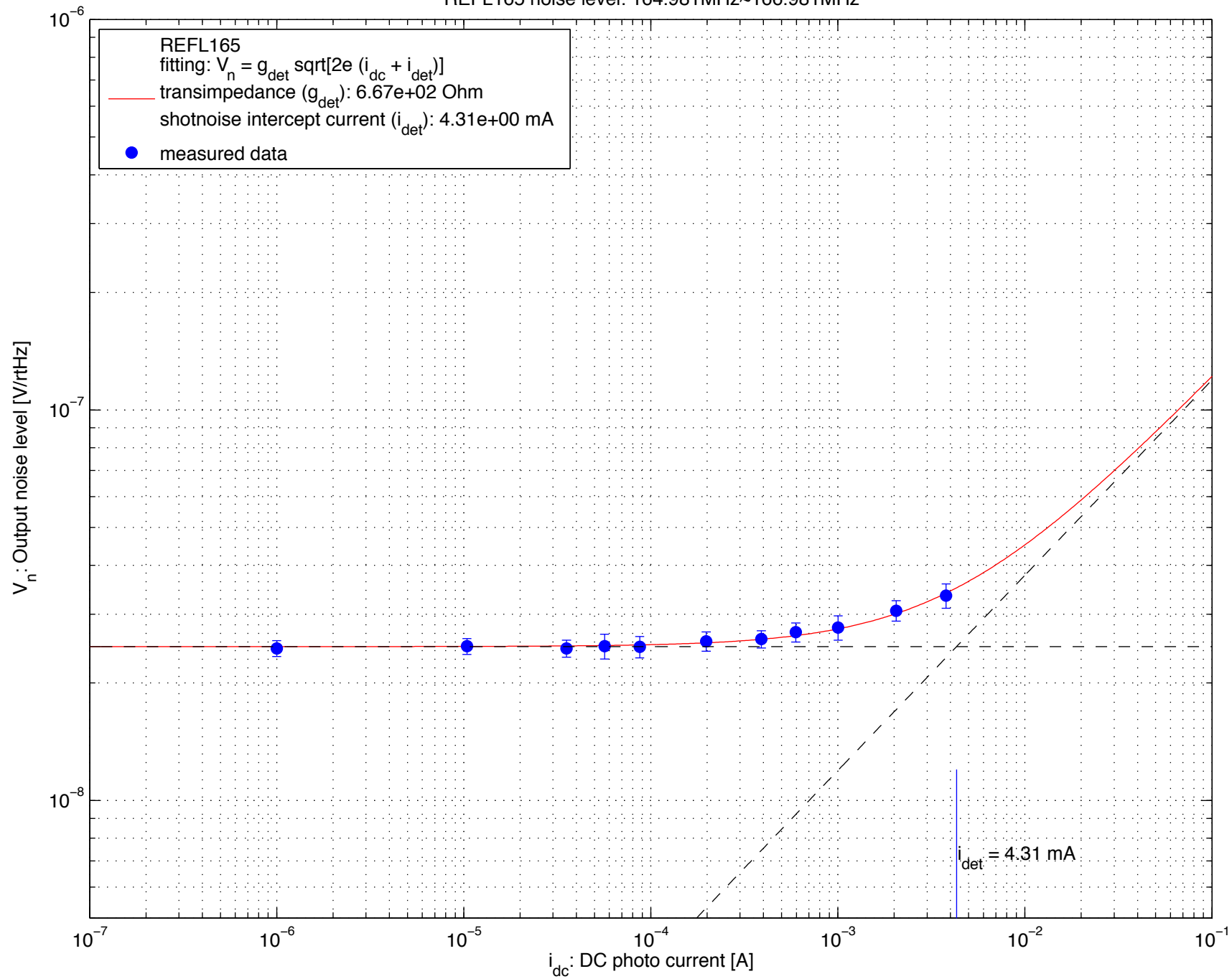
- NOTES:
- 1) The same TO-5 footprint accommodates the following diodes: C30642, GAP2000
  - 2) See table on page 3 for frequencies and values of L4, L5, R24.

Title <b>LSC Photodiode</b>		Date Last Modified: 17-May-99	
LIGO Laboratory California Institute of Technology Massachusetts Institute of Technology			
Size: B	DCC Number: D980454-01-C	PCB / SCH Revision: B / 1	Engineer: J. Suina D. Ouimette
File: S:\SYSTEMS\LSCPHOTOD-1\FINAL\SCHEMA-1\8045401A.SCH		Date: 12-Aug-1999	Time: 16:56:25
		Sheet 2 of 2	

REFL165 (2011/8/4)



REFL165 noise level: 164.981MHz~166.981MHz



PD current noise level

