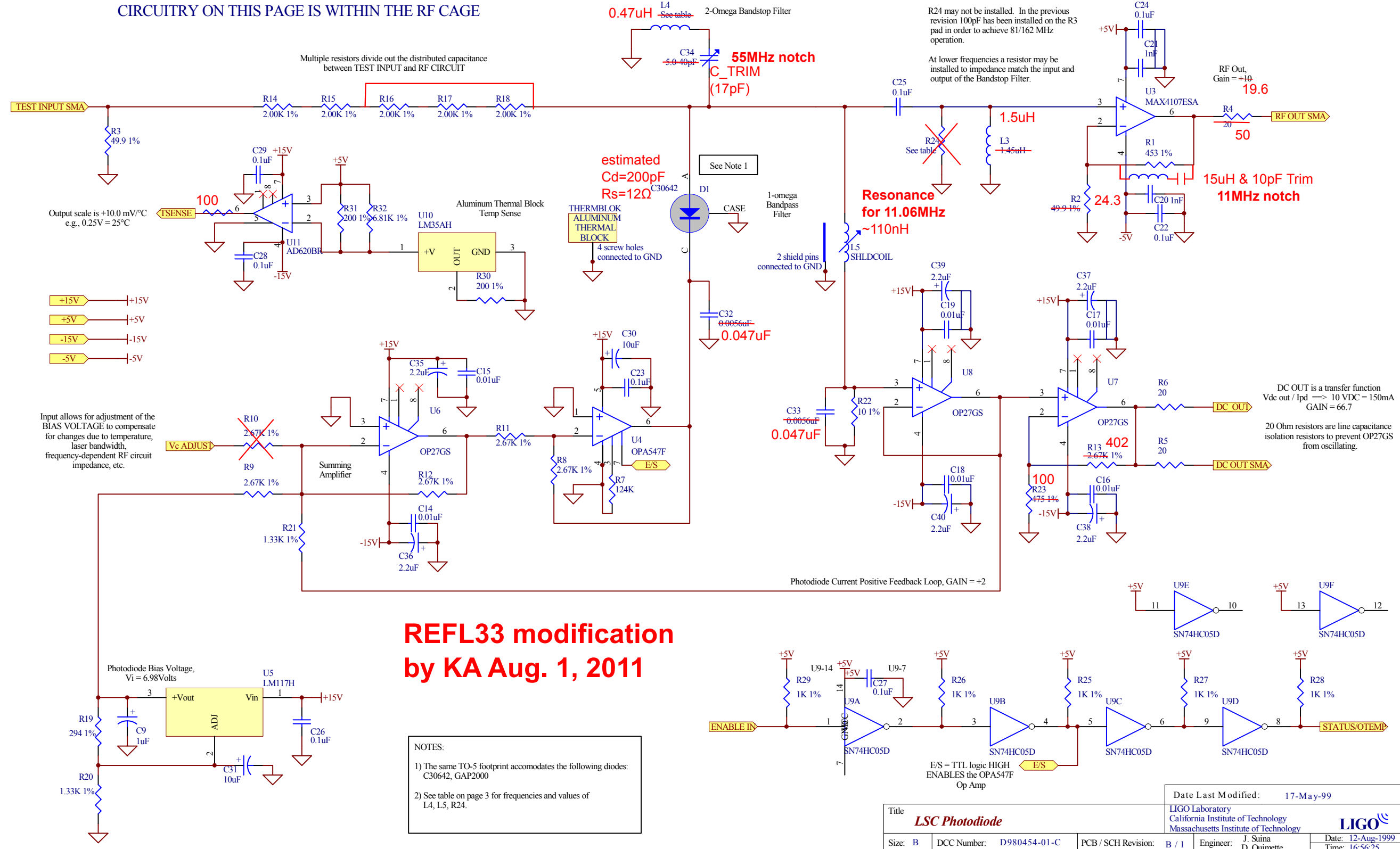


CIRCUITRY ON THIS PAGE IS WITHIN THE RF CAGE



REFL33 modification by KA Aug. 1, 2011

NOTES:
 1) The same TO-5 footprint accomodates the following diodes: C30642, GAP2000
 2) See table on page 3 for frequencies and values of L4, L5, R24.

Title LSC Photodiode		Date Last Modified: 17-May-99	
Size: B		LIGO Laboratory California Institute of Technology Massachusetts Institute of Technology	
DCC Number: D980454-01-C	PCB / SCH Revision: B / 1	Engineer: J. Suina D. Ouimette	Date: 12-Aug-1999
File: S:\SYSTEMS\LSCPHOTOD-1\FINAL\SCHEMA-1\8045401A.SCH		Time: 16:56:25 Sheet 2 of 2	