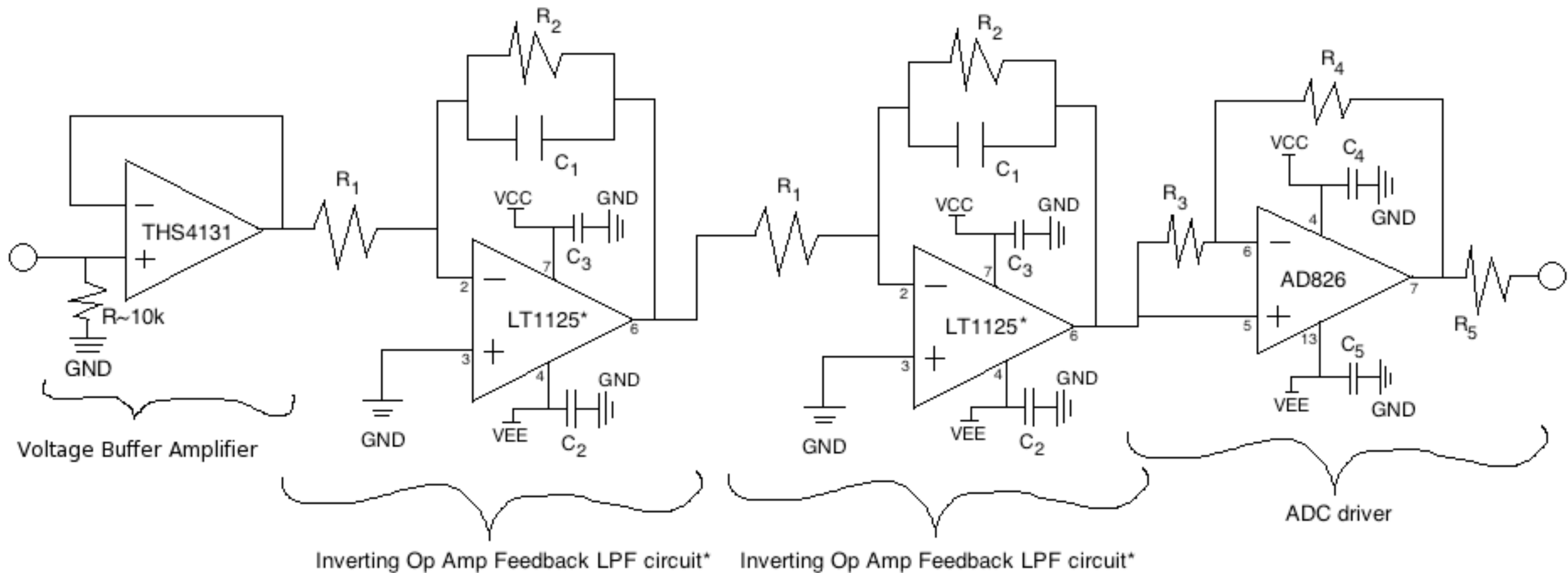


Jenne's Seismometer Box



*cutoff frequency=200Hz