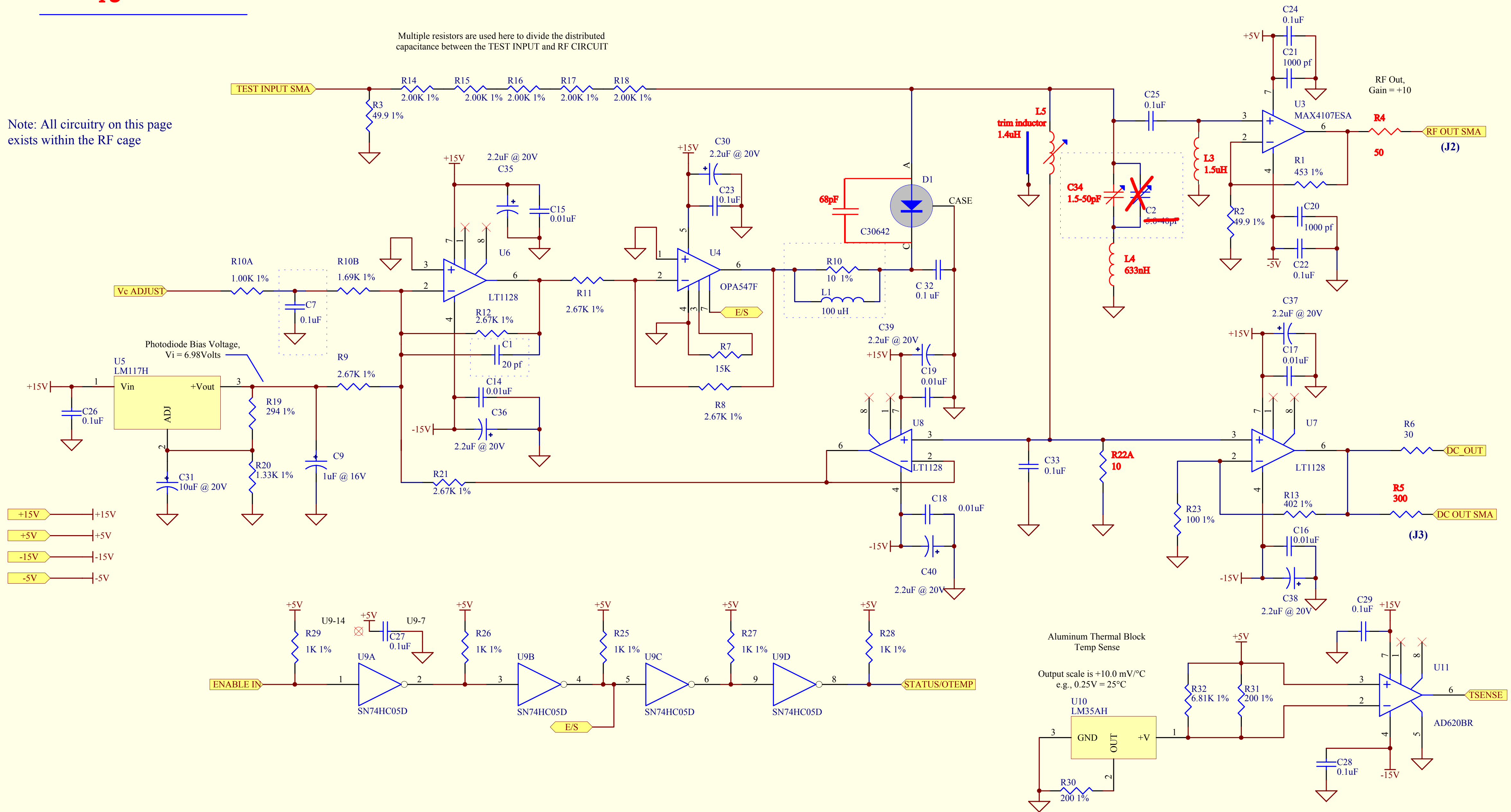


# 2010 40m Upgrade 11 MHz Photodiode

Multiple resistors are used here to divide the distributed capacitance between the TEST INPUT and RF CIRCUIT

Note: All circuitry on this page exists within the RF cage



**2010 40m Upgrade  
11MHz Photodiode  
Alberto Stochino, April 8, 2010  
v. 2.0**