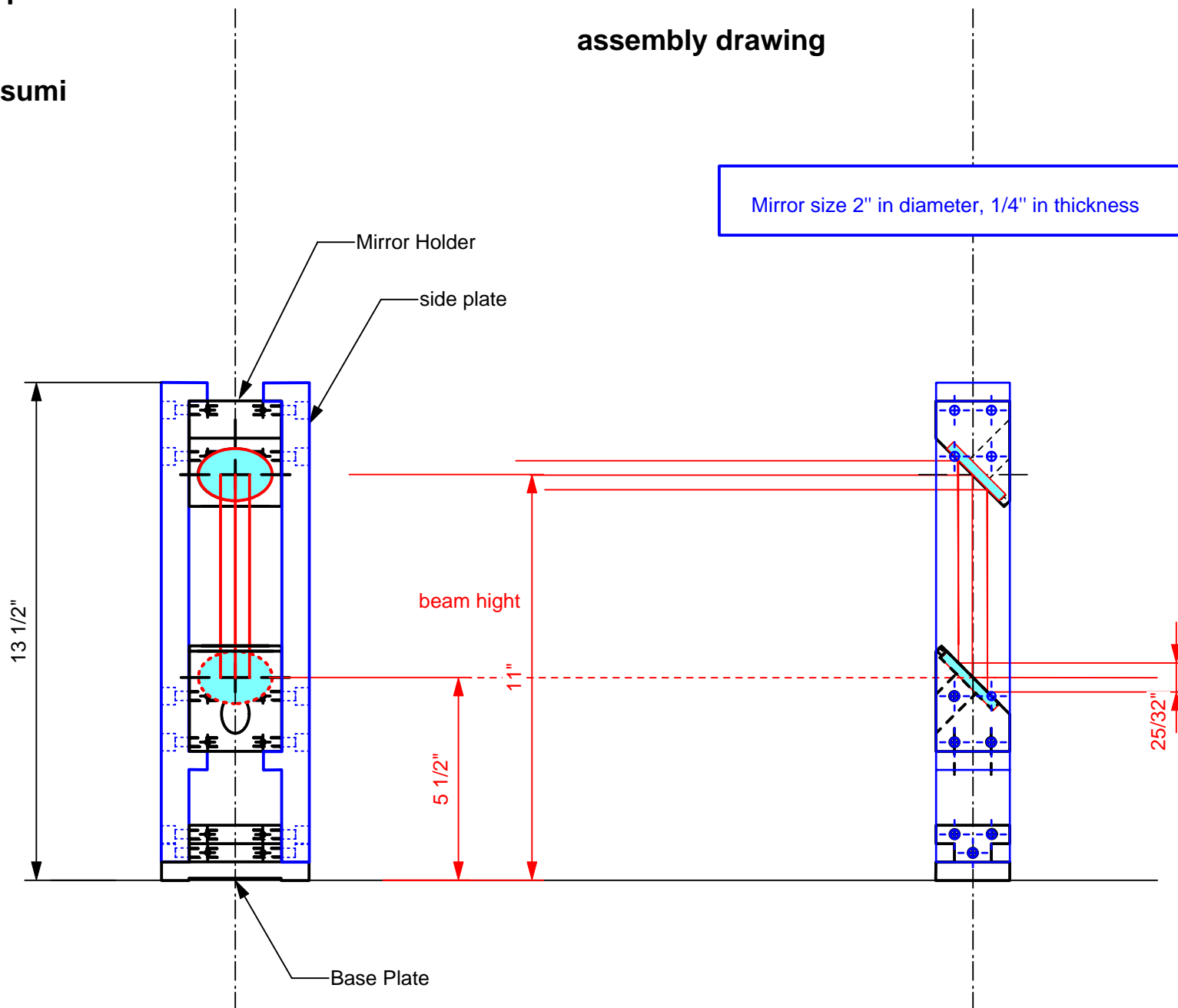


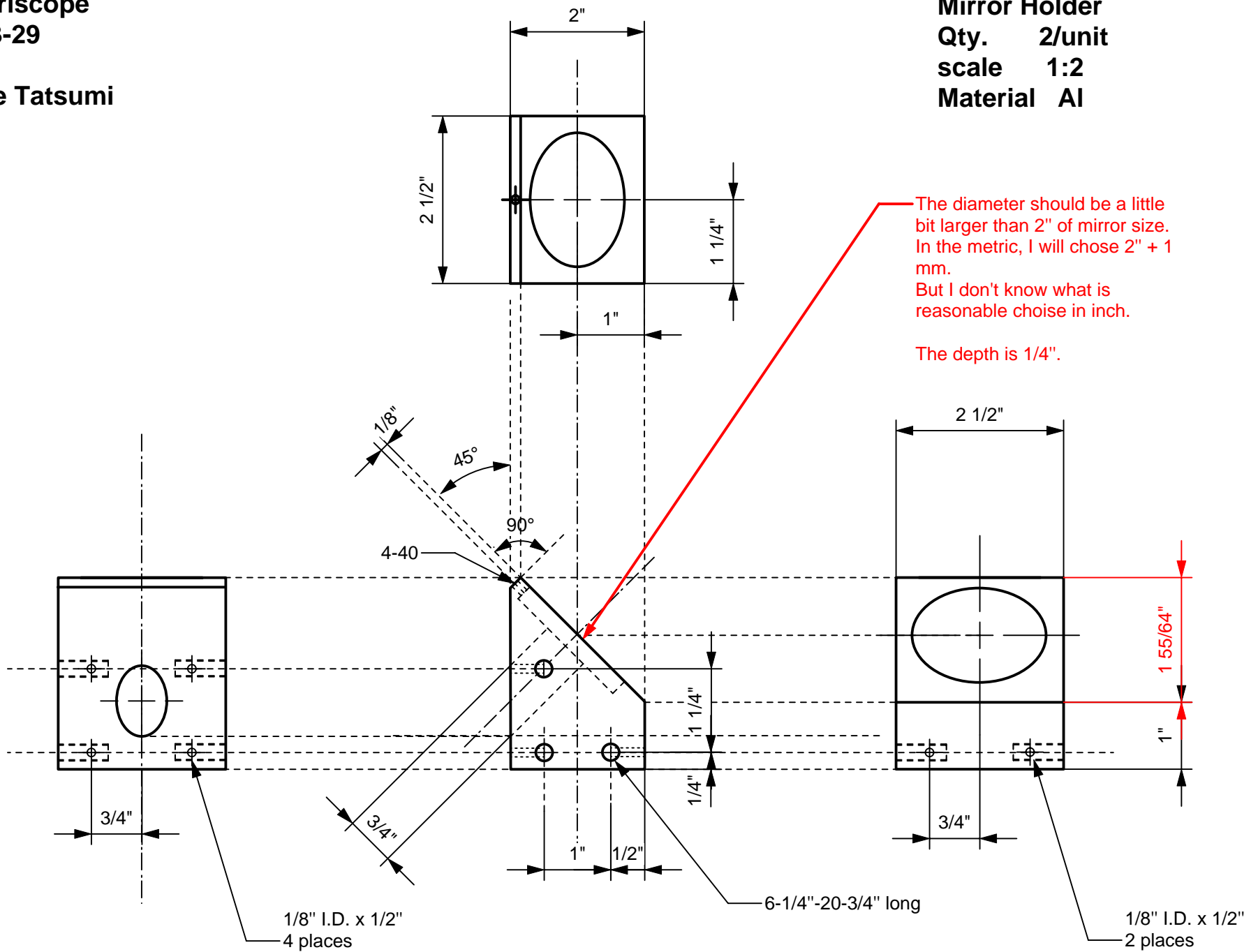
40m periscope
2010-03-29
NAOJ
Daisuke Tatsumi

assembly drawing



40m periscope
 2010-03-29
 NAOJ
 Daisuke Tatsumi

Mirror Holder
 Qty. 2/unit
 scale 1:2
 Material Al



The diameter should be a little bit larger than 2" of mirror size. In the metric, I will chose 2" + 1 mm. But I don't know what is reasonable choice in inch.

The depth is 1/4".

40m periscope
2010-03-29
NAOJ
Daisuke Tatsumi

Base plate
Qty. 1/unit
scale 1:1
Material Al

